

YSB361D3C-P
10G 1310nm/1577nm BOSA
Features:

- ◆ High-stability 1310nm MQW-DFB laser
- ◆ InGaAs PIN+TIA
- ◆ Built-in InGaAsP monitor photodiode
- ◆ High reliability
- ◆ SC/UPC

Application:

- Optical communication system

Specification:

Transmitter Characteristics	Symbol	Test	Min	Typ	Max	Unit
Optical Power	P _{out}	I _{op} =I _{th} +20mA,T _c =25°C	0.8	-	1.5	mW
Center Wavelength	λ	I _{op} =I _{th} +20mA,T _c =-10~85°C	1290	1310	1330	nm
Spectral Width	Δλ	I _{op} =I _{th} +20mA,T _c =-10~85°C	-	-	1	nm
Side Mode Suppression Ratio	SMSR	I _{op} =I _{th} +20mA,T _c =-10~85°C	30	-	-	dB
Threshold Current	I _{th}	I _{op} =I _{th} +20mA,T _c =25°C	-	12	18	mA
		I _{op} =I _{th} +20mA,T _c =-10~85°C	-	35	50	
Tracking Error	TE	I _{op} =I _{th} +20mA,T _c =-10~85°C	-1.5	-	1.5	dB
Rise and Fall times	Tr/Tf	CW	-	-	0.1	ns
Monitor PD Current	I _m	CW	100	-	1500	uA
Monitor PD Dark Current	I _d	CW	-	-	100	nA

Receiver Characteristics	Symbol	Test	Min	Typ	Max	Unit
Wavelength Range	λ	-	1557	1577	1597	nm
Sensitivity	Sens	BER=10 ⁻¹⁰ @10G, ER=5dB,PRBS2 ⁷ -1, λ=1577nm	-	-16	-15.5	dBm
Overload	P		0	-	-	dBm
Bandwidth	BW	-	8.7	11.8	-	GHz
Responsivity	R	λ=1577nm	0.7	-	-	A/W

产品名称: YSB361D3C-P

地址: 武汉市东湖新技术开发区华师科技园华师园 3 路 5 号

 网址: www.ysod.com

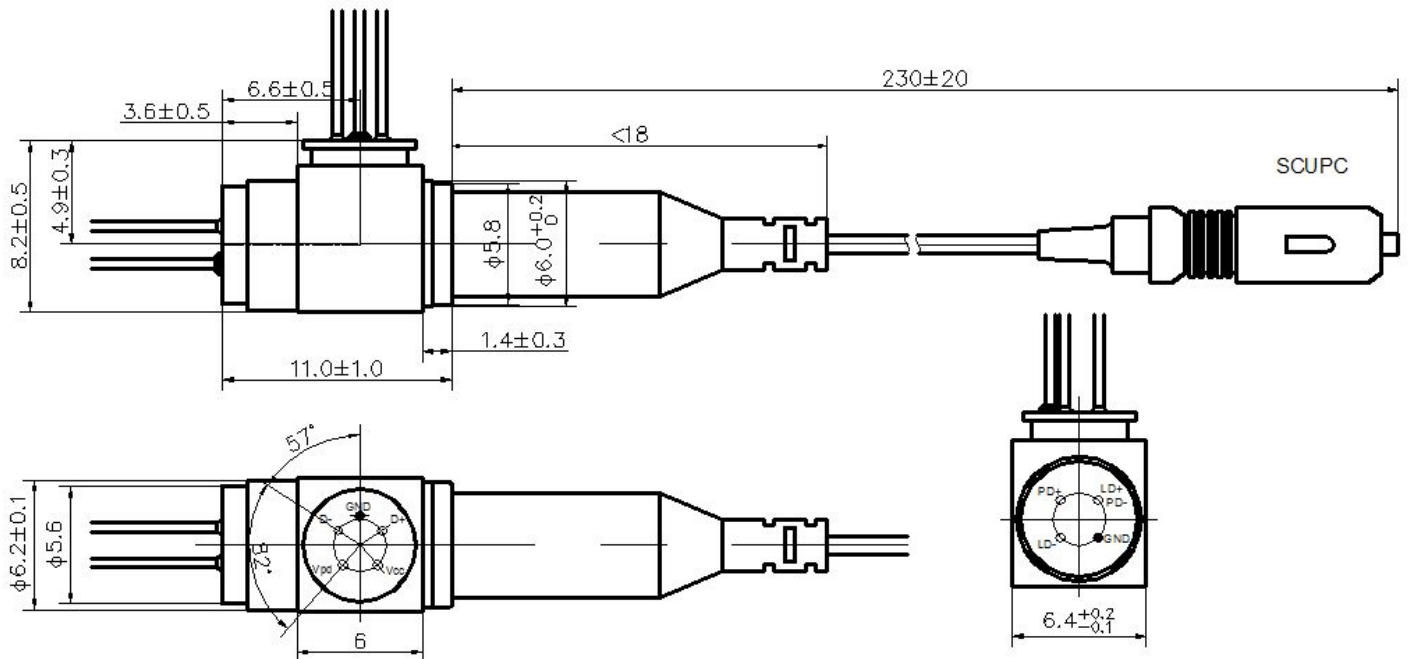
电话: 027-67845125/6/7

Operating Voltage	V _{cc}	-	3.0	3.3	3.6	V
Operating Current	I _{cc}	-	-	27	35	mA
Resistance	R _o	-	40	50	60	Ω

Absolute Maximum Ratings:

Parameter	Symbol	Value	Unit
Forward Current (LD)	I _{F(LD)}	120	mA
Reverse Voltage (LD)	V _{R(LD)}	2	V
Operating Current (PD)	I _{F(PD)}	2	mA
Reverse Voltage (PD)	V _{R(PD)}	20	V
Operating Temperature	T _{OP}	-10 ~ +85	°C
Storage Temperature	T _{ST}	-40 ~ +85	°C
Lead solder temperature /duration	-	260/10	°C/S

Dimensions:



产品名称: YSB361D3C-P

地址: 武汉市东湖新技术开发区华师科技园华师园 3 路 5 号

网址: www.ysod.com

电话: 027-67845125/6/7