

YSB521D4C-LC
1.25G LC 1550nm/1310nm BOSA
Features:

- ◆ High-stability 1550nm DFB laser
- ◆ InGaAs PIN+TIA
- ◆ Low threshold
- ◆ High reliability
- ◆ 1.25G PIN+TIA
- ◆ LC Receptacle

Application:

- Optical communication system

Specification:

Transmitter Characteristics	Symbol	Test	Min	Typ	Max	Unit
Optical power	P _{out}	I _{op} =I _{th} +20 mA, T _c =25°C	0.3	-	0.7	mW
Center wavelength	λ	I _{op} =I _{th} +20mA, T _c =25°C	1540	1550	1560	nm
Spectral Width	Δ λ	I _{op} =I _{th} +20mA, T _c =-40-85°C	-	-	1	nm
Threshold Current	I _{th}	CW, T _c =25°C	-	-	15	mA
Tracking Error	TE	I _{op} =I _{th} +20 mA, T _c =-40-85°C	-1.5	-	1.5	dB
Rise and Fall times	T _r /T _f	T _c =-40-85°C	-	-	0.1	ns
Monitor Current	I _m	I _{op} =I _{th} +20 mA	100	-	1500	uA
Monitor Dark Current	I _d	T _c =25°C	-	-	100	nA

Receiver Characteristics	Symbol	Test	Min	Typ	Max	Unit
Wavelength range	λ	T _c =0-70°C	1290	1310	1330	nm
Sensitivity	Sens	BER=10 ⁻¹⁰ @1.25G ER=10dB, PRBS2 ⁷ -1	-	-	-25	dBm
Overload	P		-3	-	-	dBm
Bandwidth	BW	-	730	-	-	MHz
Responsivity	R _d	λ =1310nm	0.7	-	-	A/W
Operating Voltage	V _{cc}	-	3.0	3.3	3.6	V
Operating Current	I _{cc}	-	23	28	35	mA

Absolute Maximum Ratings:

Parameter	Symbol	Value	Unit
Forward Current (LD)	I _{F(LD)}	100	mA

产品名称: YSB521D4C-LC

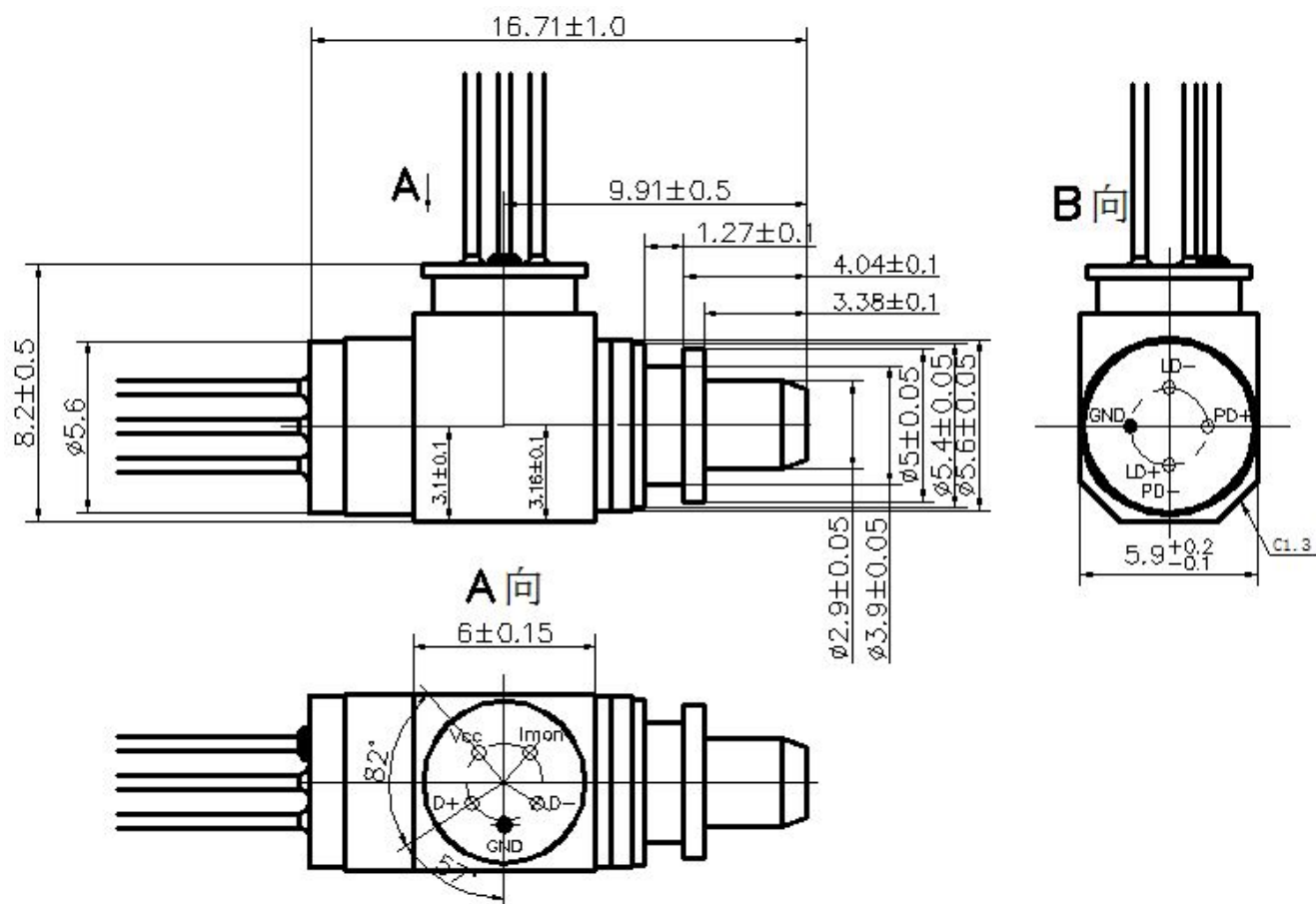
地 址: 武汉市东湖新技术开发区华师科技园华师园 3 路 5 号

 网 址: www.ysod.com

电话: 027-67845125/6/7

Reverse Voltage (LD)	$V_{R(LD)}$	2	V
Operating Current (PD)	$I_{F(PD)}$	2	mA
Reverse Voltage (PD)	$V_{R(PD)}$	20	V
Operating Temperature	T_{OP}	0 ~ +70	°C
Storage Temperature	T_{ST}	-40 ~ +85	°C
Lead solder temperature /duration	-	260/10	°C/S

Dimensions:



产品名称: YSB521D4C-LC

地址: 武汉市东湖新技术开发区华师科技园华师园 3 路 5 号

网址: www.ysod.com

电话: 027-67845125/6/7