

YSB332D4C-4-P
2.5G 1310nm/1490nm BOSA
Features:

- ◆ High-stability 1310nm MQW-DFB laser
- ◆ Built-in InGaAsP monitor photodiode
- ◆ High reliability
- ◆ Low Threshold
- ◆ 2.5G APD+TIA
- ◆ SMF Pigtail Package
- ◆ SC/UPC Connector

Application:

- Optical communication system

Specification:

Transmitter Characteristics	Symbol	Test	Min	Typ	Max	Unit
Threshold Current	I _{th}	CW, T=25°C	-	11	15	mA
		CW, T=-20~75°C	-	-	40	
Optical Power	P _f	I _{op} =I _{th} +20mA, CW, T=25°C	1.6	-	-	mW
		I _{op} =I _{th} +20mA, CW, T=-20~75°C	0.9	-	-	
Center Wavelength	λ	CW, T=-20~75°C	1290	1310	1330	nm
Spectral Width	Δλ	I _{op} =I _{th} +20mA, CW, T=-20~75°C	-	-	1	nm
Side Mode Suppression Ratio	SMSR	I _{op} =I _{th} +20mA, CW	30	-	-	dB
Tracking Error	TE	CW, T=-20~75°C	-1.5	-	1.5	dB
Rise and Fall times	T _r /T _f	T=25°C, 20%~80%	-	-	0.2	ns
Monitor PD Current	I _m	I _{op} =I _{th} +20mA, CW	100	-	1500	uA
Monitor PD Dark Current	I _d	V _R =5V	-	-	100	nA

Receiver Characteristics	Symbol	Test	Min	Typ	Max	Unit
Wavelength Range	λ	CW, T=-20~75°C	1480	1490	1500	nm
Sensitivity	Sens	BER=10 ⁻¹⁰ @2.5G, ER=10dB, PRBS2 ²³ -1 V _{op} =V _{br} -3V	-	-	-30.5	dBm
Overload	P		-7	-	-	dBm
Break Down Voltage	V _{br}	I _D =10uA	34	-	57	V
Responsivity	R	CW, λ=1490nm, M=1, T _c =25°C	0.7	-	-	A/W
Optical Return Loss	R _{rel}	SC/UPC connector, λ=1490nm	20	-	-	dB

Part NO: YSB332D4C-4-P

Add: A-2F, No. 5Rds Huashi Science Park, East Lake High-Tech Development

Zore, Wuhan, Hubei, China Web: www.ysod.com

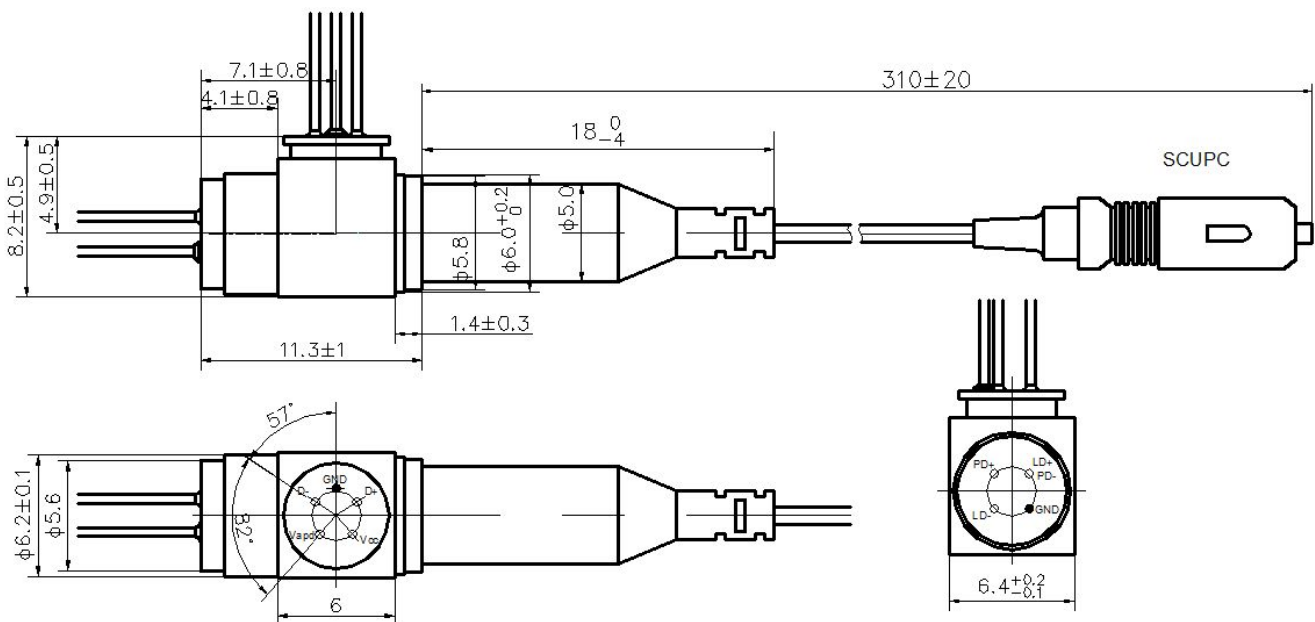
Tel: 027-67845125/6/7

Optical Crosstalk	Xopt	-	-	-	-40	dB
Isolation	ISO	@1310nm	35	-	-	dB
		@1550nm	35	-	-	
Operating Voltage	Vcc	-	3.0	3.3	3.6	V
Operating Current	Icc	-	15	20	24	mA
Resistance	Z	-	-	50	-	Ω

Absolute Maximum Ratings:

Parameter	Symbol	Value	Unit
Forward Current (LD)	$I_{F(LD)}$	100	mA
Reverse Voltage (LD)	$V_{R(LD)}$	2	V
Operating Current (PD)	$I_{F(PD)}$	2	mA
Reverse Voltage (PD)	$V_{R(PD)}$	20	V
Operating Temperature	T_{OP}	-20 ~ +75	$^{\circ}C$
Storage Temperature	T_{ST}	-40 ~ +85	$^{\circ}C$
Lead solder temperature /duration	-	260/10	$^{\circ}C/S$

Dimensions:



Part NO: YSB332D4C-4-P

Add: A-2F, No. 5Rds Huashi Science Park, East Lake High-Tech Development

Zone, Wuhan, Hubei, China Web: www.ysod.com

Tel: 027-67845125/6/7