

**YSVLD9802-I**
**10G 850nm VCSEL TO**
**Features:**

- ◆ 10Gb/s 850nm VCSEL laser
- ◆ Low threshold
- ◆ High reliability
- ◆ Industry TO-46 package of Slanted Window Cap

**Application:**

- Optical communication system
- Instruments and Apparatuses

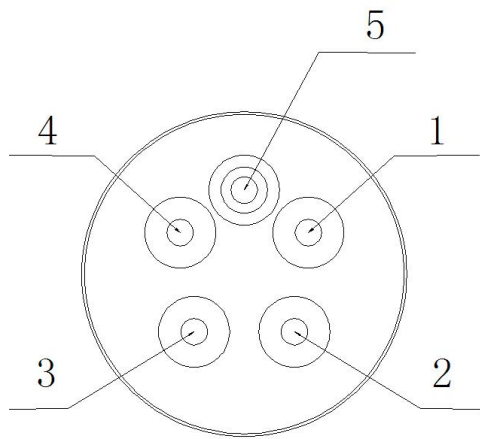
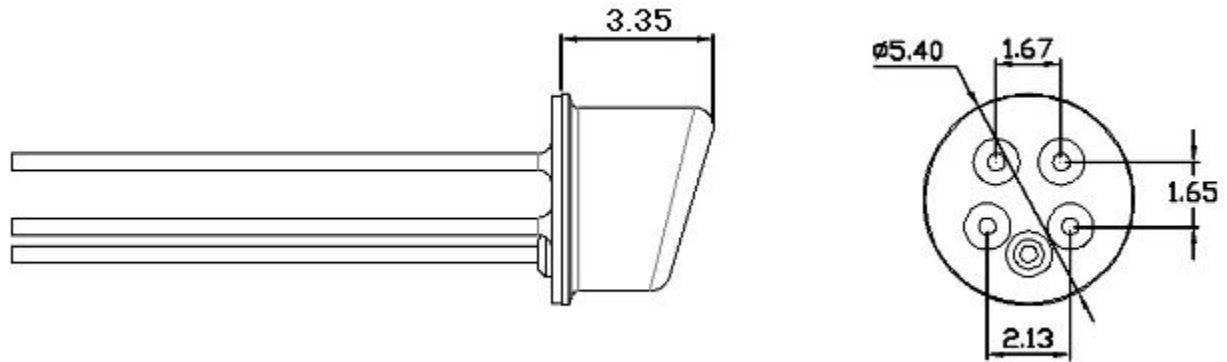
**Specification:**

Parameter	Symbol	Conditions	Min.	Typ.	Max.	Unit
Peak Fiber Test Optical Power	P <sub>out</sub>	I <sub>op</sub> =6mA, T=25°C	0.6	0.8	-	mW
Emission wavelength	$\lambda$	I <sub>op</sub> =6mA, T=25°C	840	850	860	nm
Spectral bandwidth	$\Delta\lambda$	I <sub>op</sub> =6mA, T=25°C	-	-	0.65	nm
Threshold current	I <sub>th</sub>	I <sub>op</sub> =6mA, T=25°C	0.4	-	1.5	mA
Operating Voltage	V <sub>F</sub>	I <sub>op</sub> =6mA, T=25°C	-	-	2.5	V
Monitor Current(PD)	I <sub>m</sub>	I <sub>op</sub> =6mA, T=25°C	50	-	-	uA
Differential resistance	R <sub>s</sub>	I <sub>op</sub> =6mA, T=25°C	85	100	115	$\Omega$
Rise and fall time	T <sub>r</sub> /T <sub>f</sub>	CW	-	45	50	ps

**Absolute Maximum Ratings:**

Parameter	Symbol	Rating	Unit
Peak Forward Current	I <sub>F(LD)</sub>	12	mA
Reverse Voltage	V <sub>R(LD)</sub>	5	V
Operating Temperature	T <sub>OP</sub>	-5 ~ +75	°C
Storage Temperature	T <sub>ST</sub>	-40 ~ +85	°C
Lead solder temperature	-	260/10	°C/S
ESD (HBM)	-	0 级, <250	V

**Dimensions:**



<b>1</b>	<b>LD+</b>
<b>2</b>	<b>PD-</b>
<b>3</b>	<b>PD+</b>
<b>4</b>	<b>LD-</b>
<b>5</b>	<b>GND</b>